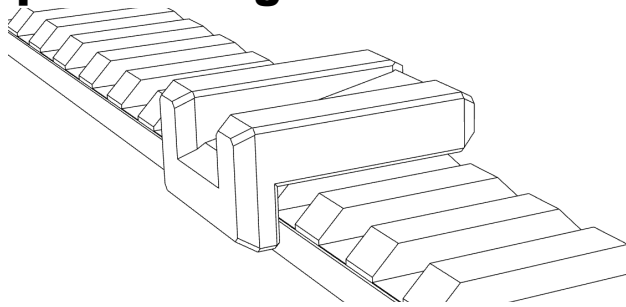
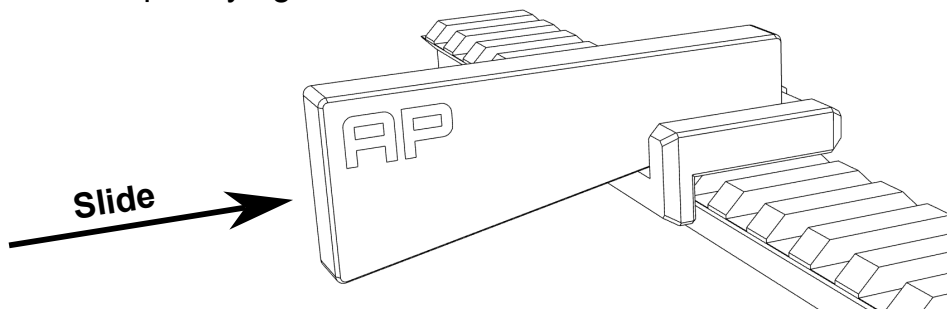


## Scope Leveling Tool Instructions



### Step 1

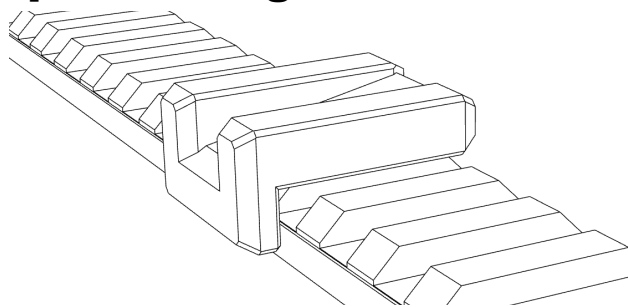
Place the L-shaped bracket on top of the picatinny rail, being sure to seat the bottom of the L completely against the side of the rail.



### Step 2

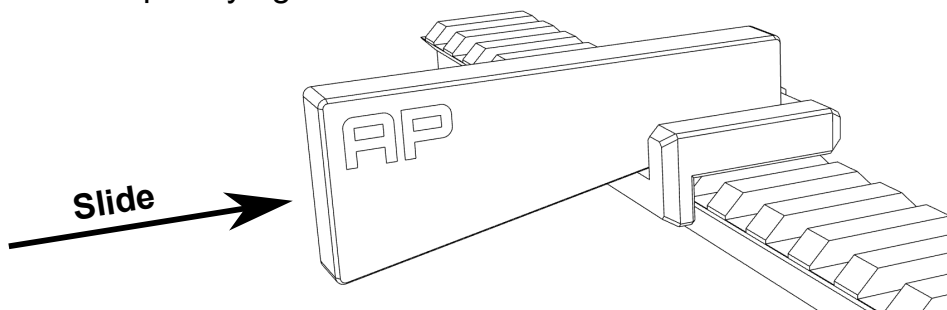
Select an angled wedge aligning the angled side with the L-shaped part from step 1 (two sizes are provided). The top surface of the wedge should be parallel to the rail. Slowly slide the wedge "up" the ramp until it touches the bottom of your turret cluster. While holding the wedge in place, tighten your scope rings or mount according to your scope and mount manufacturer's recommendation.

## Scope Leveling Tool Instructions



### Step 1

Place the L-shaped bracket on top of the picatinny rail, being sure to seat the bottom of the L completely against the side of the rail.



### Step 2

Select an angled wedge aligning the angled side with the L-shaped part from step 1 (two sizes are provided). The top surface of the wedge should be parallel to the rail. Slowly slide the wedge "up" the ramp until it touches the bottom of your turret cluster. While holding the wedge in place, tighten your scope rings or mount according to your scope and mount manufacturer's recommendation.