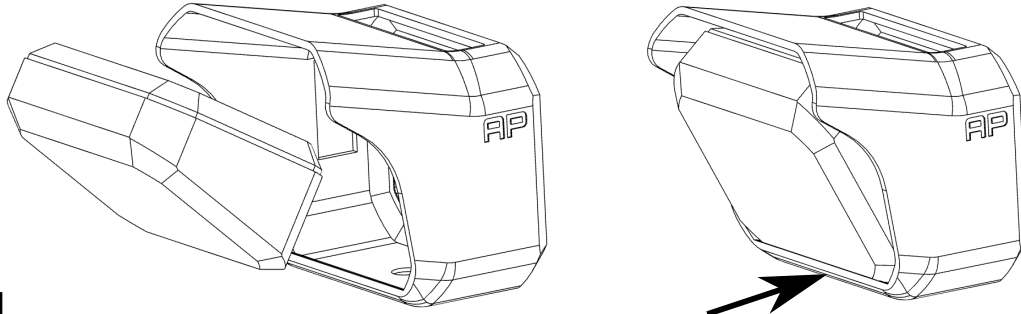
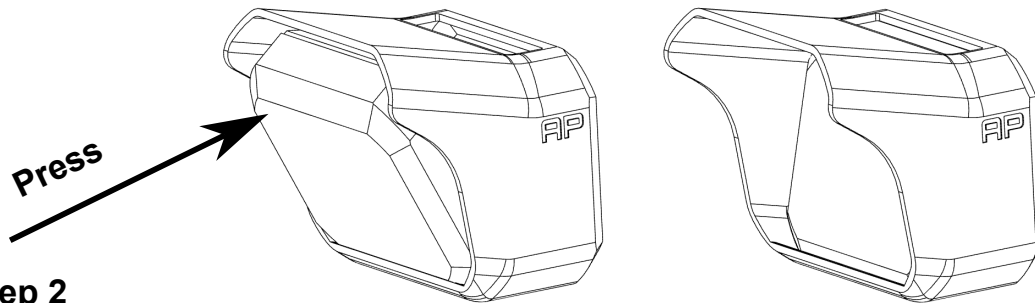


## Garmin Xero C1 Flexible Sunshade Instructions



### Step 1

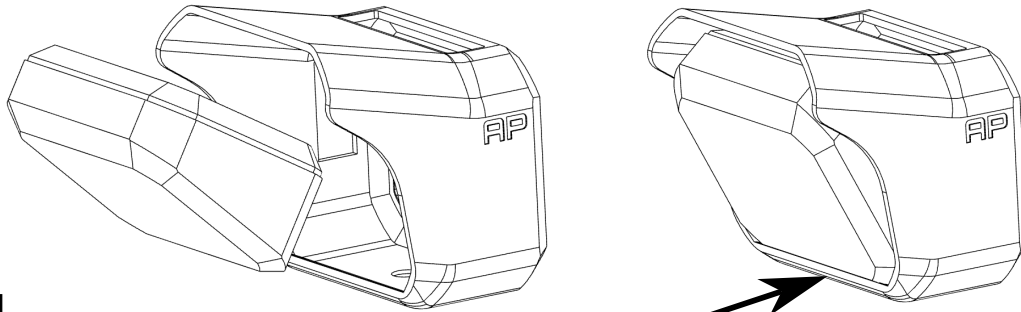
Place the rear, bottom corner of the Garmin Xero inside the rear, bottom corner of the sunshade, with the top of the Garmin angled away from the sunshade.



### Step 2

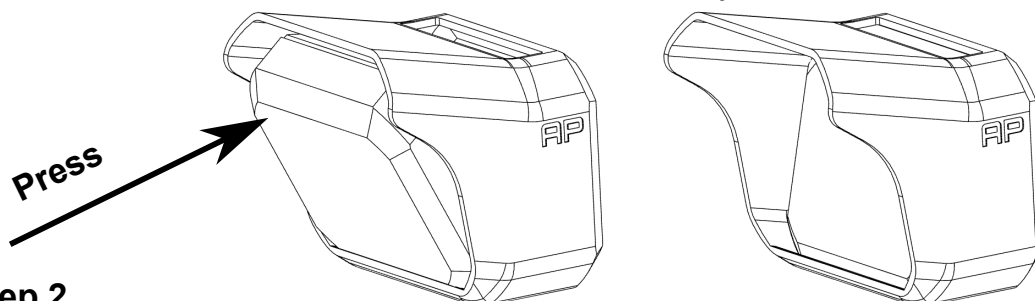
Press the top of the Garmin Xero forward into the sunshade, being sure to keep the rear, bottom corner of the Garmin in the rear, bottom corner of the sunshade. This does take a firm press, but excessive force is not required. The Garmin should settle nicely into place, but you can confirm fitment by checking the button locations inside the button access hole at the top, as well as the charging port hole on the left side of the assembly.

## Garmin Xero C1 Flexible Sunshade Instructions



### Step 1

Place the rear, bottom corner of the Garmin Xero inside the rear, bottom corner of the sunshade, with the top of the Garmin angled away from the sunshade.



### Step 2

Press the top of the Garmin Xero forward into the sunshade, being sure to keep the rear, bottom corner of the Garmin in the rear, bottom corner of the sunshade. This does take a firm press, but excessive force is not required. The Garmin should settle nicely into place, but you can confirm fitment by checking the button locations inside the button access hole at the top, as well as the charging port hole on the left side of the assembly.